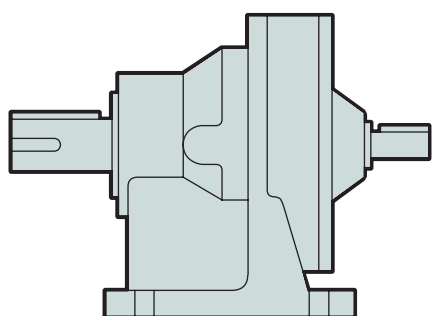


KOTEC

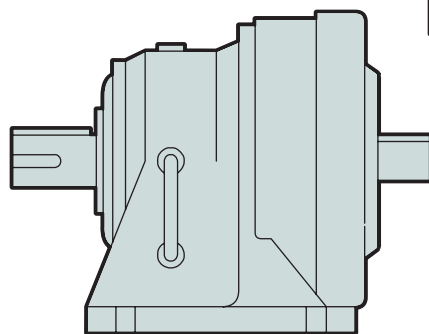
ROLADRIVE® SPEED Reducer

Specifications for North America

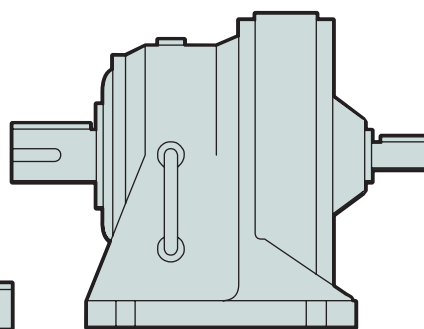


KH4110
KH4125

Foot Mount Single Reduction



KH4165
KH4175



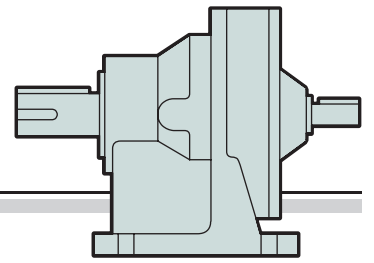
KH4130
KH4140
KH4155

- **INCH SHAFT - SINGLE STAGE** Specifications
- **TORQUE RATING - SINGLE REDUCTION**

KOTEC

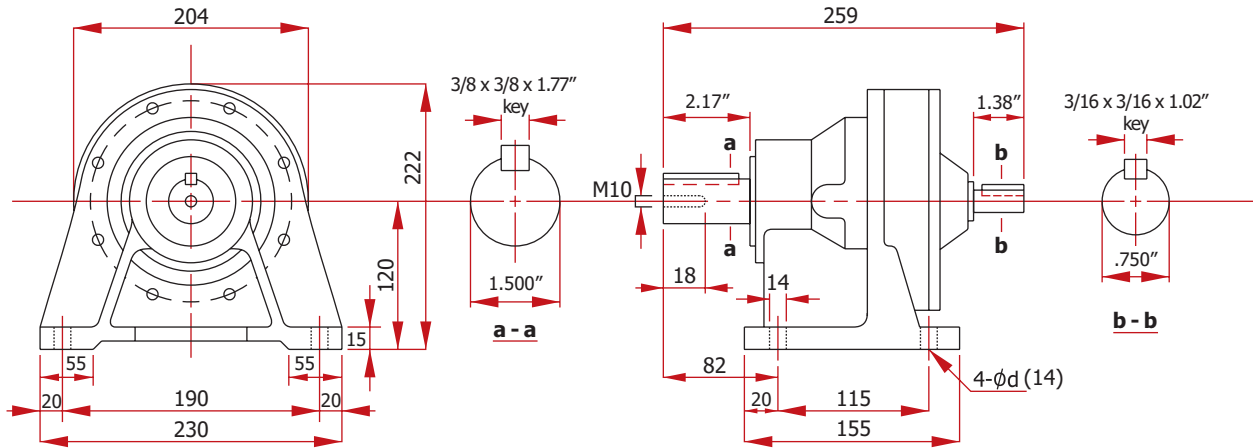
KOTEC PRECISION MACHINERY, INC.

TEL: 886-4-26888550 FAX: 886-4-26888547
ADDRESS : No.312, Sec. 1, Chungshan Rd., Ta-Chia Cheng, Taichung , Taiwan (R.O.C.)
Web side : www.kotec.com.tw e-mail : support@kotec.com.tw

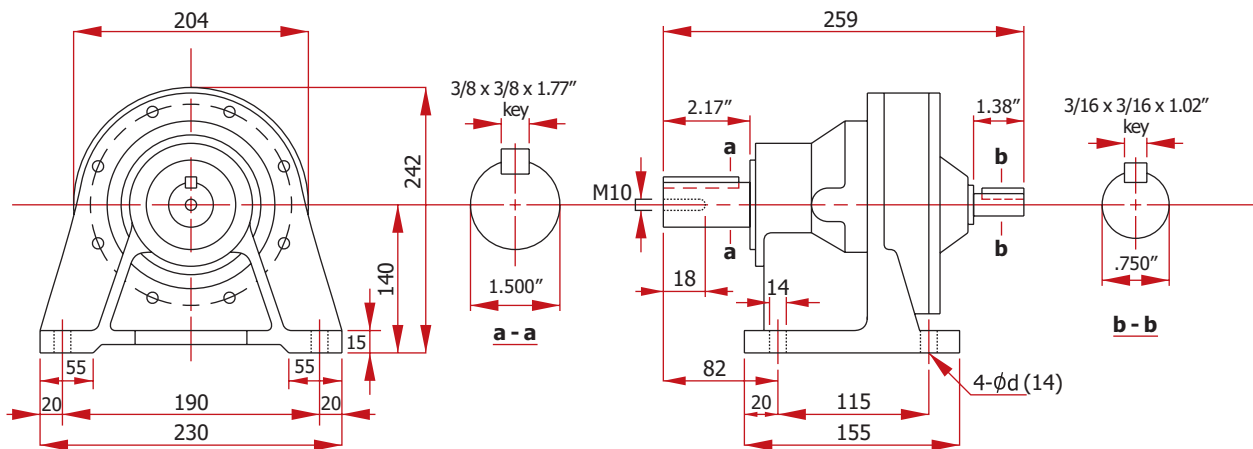


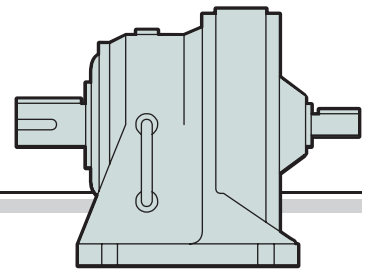
INCH SHAFT - SINGLE STAGE Specifications

KH4110



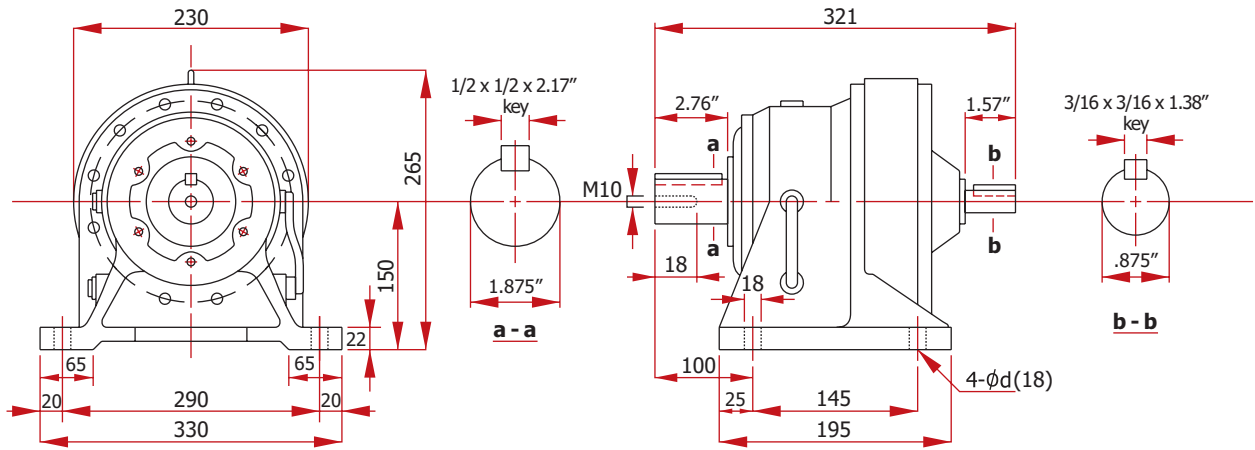
KH4125



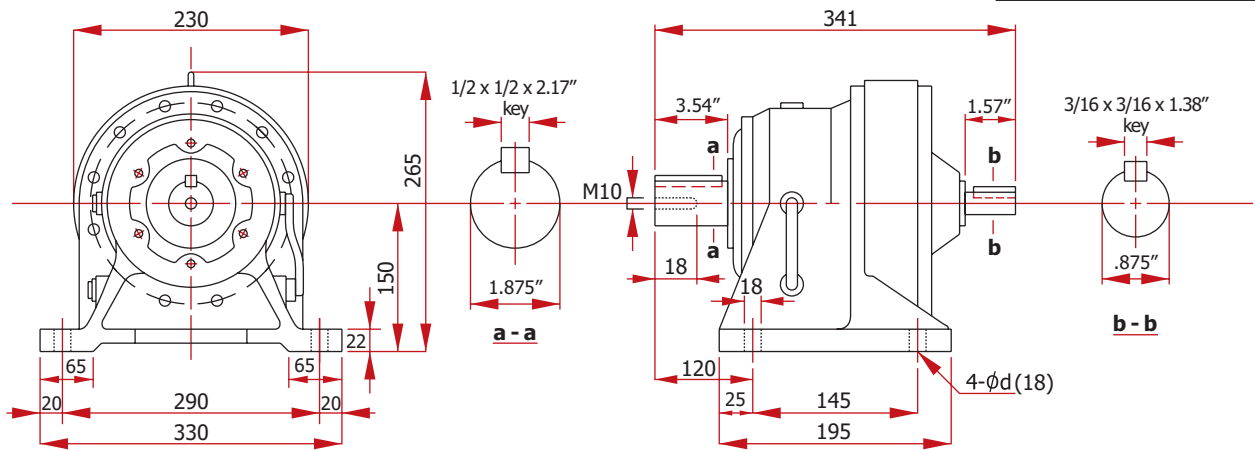


INCH SHAFT - SINGLE STAGE Specifications

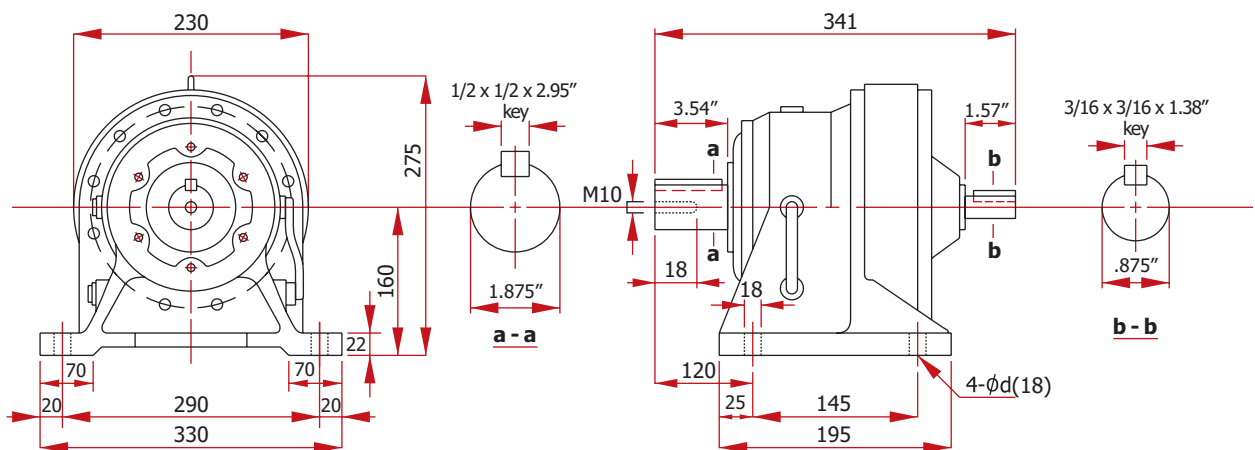
KH4130

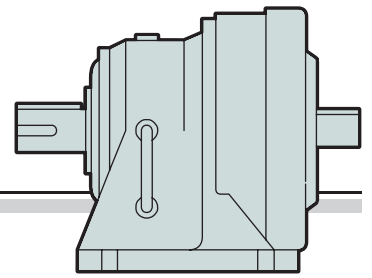


KH4140



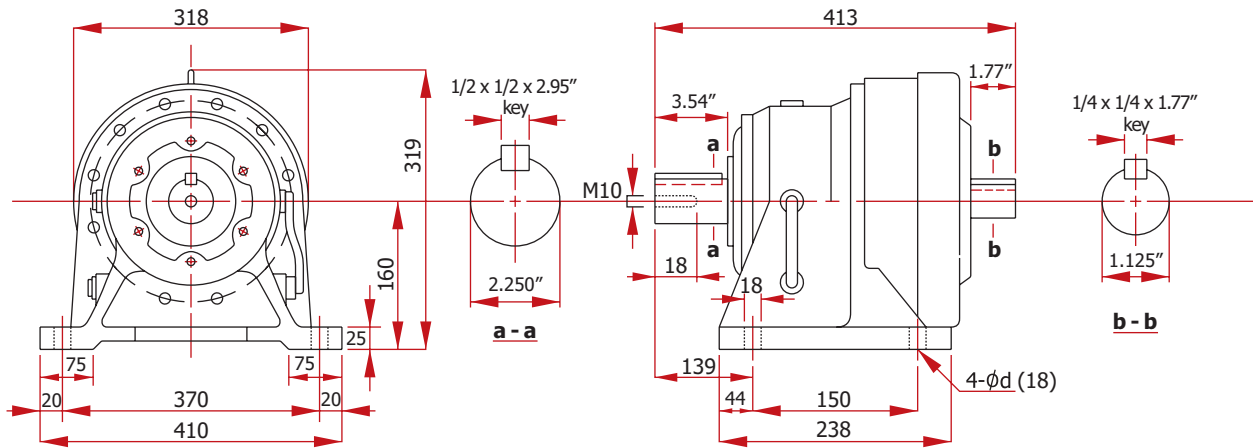
KH4155



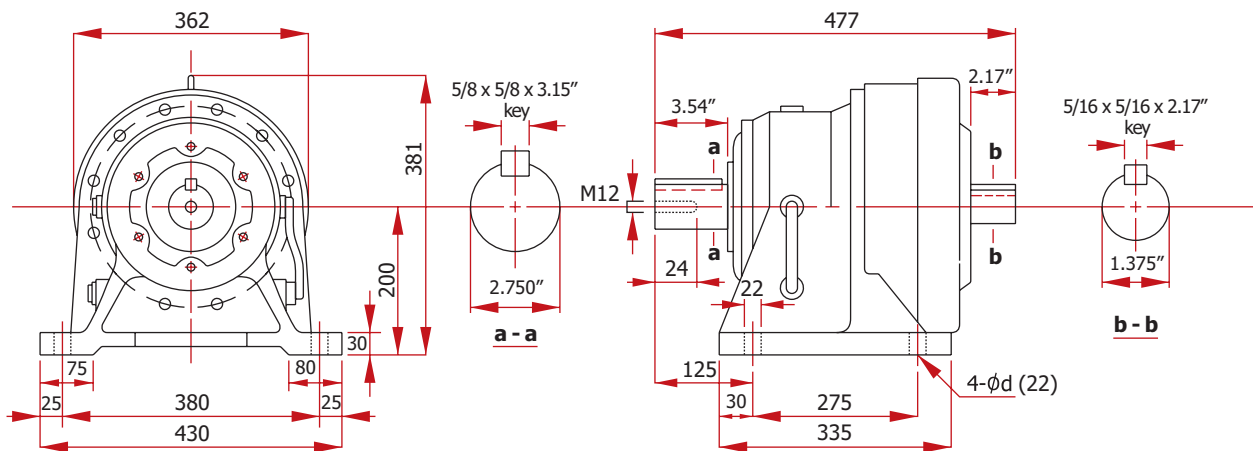


INCH SHAFT - SINGLE STAGE Specifications

KH4165



KH4175



TORQUE RATING - SINGLE REDUCTION

6:1

Input (rpm)	1750				1460				1165				870			
Output (rpm)	292				243				194				145			
Reducer Size	Input Power (hp)	Output Torque (in-lb)	Input Power (kw)	Output Torque (kg-m)	Input Power (hp)	Output Torque (in-lb)	Input Power (kw)	Output Torque (kg-m)	Input Power (hp)	Output Torque (in-lb)	Input Power (kw)	Output Torque (kg-m)	Input Power (hp)	Output Torque (in-lb)	Input Power (kw)	Output Torque (kg-m)
KH4110	6.80	1360	5.07	15.7	6.48	1560	4.84	17.9	5.82	1750	4.34	20.2	4.76	1920	3.55	22.1
KH4125	7.50	1500	5.60	17.3	7.50	1800	5.60	20.7	7.50	2250	5.60	25.9	6.45	2600	4.81	30.0
KH4130	13.5	2700	10.1	31.1	12.9	3100	9.63	35.7	11.6	3500	8.65	40.3	9.51	3830	7.09	44.1
KH4140	16.8	3370	12.5	38.8	15.5	3730	11.6	43.0	13.6	4100	10.1	47.2	11.2	4490	8.32	51.7
KH4155	20.1	4030	15.0	46.4	18.2	4340	13.5	50.3	15.6	4700	11.6	54.1	12.8	5150	9.55	59.3
KH4165	27.2	5430	20.3	62.6	25.4	6100	19.0	70.2	22.5	6760	16.8	77.9	18.4	7440	13.7	85.7
KH4175	38.7	7760	28.9	89.4	36.5	8770	27.2	101	32.5	9770	24.2	113	26.6	10700	19.8	123

8:1

Input (rpm)	1750				1460				1165				870			
Output (rpm)	219				183				146				109			
Reducer Size	Input Power (hp)	Output Torque (in-lb)	Input Power (kw)	Output Torque (kg-m)	Input Power (hp)	Output Torque (in-lb)	Input Power (kw)	Output Torque (kg-m)	Input Power (hp)	Output Torque (in-lb)	Input Power (kw)	Output Torque (kg-m)	Input Power (hp)	Output Torque (in-lb)	Input Power (kw)	Output Torque (kg-m)
KH4110	6.80	1810	5.07	20.9	6.48	2070	4.84	23.8	5.82	2330	4.34	26.8	4.76	2560	3.55	29.5
KH4125	7.50	2000	5.60	23.0	7.50	2400	5.60	27.6	7.50	3000	5.60	34.6	6.45	3450	4.81	39.7
KH4130	13.5	3590	10.1	41.4	12.9	4130	9.63	47.5	11.6	4660	8.65	53.7	9.51	5110	7.09	58.9
KH4140	16.8	4480	12.5	51.6	15.5	4970	11.6	57.2	13.6	5460	10.1	62.8	11.2	5990	8.32	68.9
KH4155	20.1	5370	15.0	61.9	18.2	5810	13.5	66.9	15.6	6250	11.6	72.0	12.8	6860	9.55	79.0
KH4165	26.4	7030	19.7	81.0	24.5	7800	18.3	89.9	21.5	8580	16.0	98.8	17.9	9600	13.4	111
KH4175																

11:1

Input (rpm)	1750				1460				1165				870			
Output (rpm)	159				133				106				79.1			
Reducer Size	Input Power (hp)	Output Torque (in-lb)	Input Power (kw)	Output Torque (kg-m)	Input Power (hp)	Output Torque (in-lb)	Input Power (kw)	Output Torque (kg-m)	Input Power (hp)	Output Torque (in-lb)	Input Power (kw)	Output Torque (kg-m)	Input Power (hp)	Output Torque (in-lb)	Input Power (kw)	Output Torque (kg-m)
KH4110	6.80	2490	5.07	28.7	6.48	2850	4.84	32.8	5.82	3210	4.34	37.0	4.76	3510	3.55	40.4
KH4125	7.50	2750	5.60	31.7	6.97	3060	5.20	35.3	5.85	3220	4.36	37.1	4.78	3520	3.57	40.6
KH4130	13.5	4950	10.1	57.0	12.8	5610	9.53	64.6	11.4	6270	8.50	72.2	9.30	6860	6.94	79.0
KH4140	16.8	6170	12.5	71.1	15.5	6800	11.5	78.3	13.5	7430	10.1	85.6	10.7	7930	8.01	91.4
KH4155	20.1	7390	15.0	85.1	18.2	7990	13.5	92.0	15.6	8590	11.6	99.0	12.8	9430	9.55	109
KH4165	26.4	9680	19.7	112	22.2	9740	16.5	112	17.8	9790	13.3	113	14.6	10760	10.9	124
KH4175	38.7	14200	28.9	164	35.9	15800	26.8	182	31.5	17400	23.5	200	25.8	19000	19.2	219

TORQUE RATING - SINGLE REDUCTION

13:1

Input (rpm)	1750				1460				1165				870			
Output (rpm)	135				112				89.6				66.9			
Reducer Size	Input Power (hp)	Output Torque (in-lb)	Input Power (kw)	Output Torque (kg-m)	Input Power (hp)	Output Torque (in-lb)	Input Power (kw)	Output Torque (kg-m)	Input Power (hp)	Output Torque (in-lb)	Input Power (kw)	Output Torque (kg-m)	Input Power (hp)	Output Torque (in-lb)	Input Power (kw)	Output Torque (kg-m)
KH4110	6.80	2950	5.07	34.0	6.37	3320	4.75	38.2	5.64	3680	4.21	42.4	4.61	4030	3.44	46.4
KH4125	7.50	3250	5.60	37.4	6.89	3580	5.14	41.2	5.85	3810	4.36	43.9	4.78	4170	3.57	48.0
KH4130	13.5	5870	10.1	67.6	12.4	6440	9.25	74.2	10.8	7010	8.06	80.8	8.79	7670	6.56	88.4
KH4140	14.6	6350	10.9	73.2	13.2	6850	9.82	78.9	11.3	7340	8.43	84.6	9.21	8040	6.87	92.6
KH4155	15.7	6830	11.7	78.7	13.9	7250	10.4	83.5	11.8	7670	8.80	88.4	9.63	8400	7.18	96.8
KH4165	26.4	11400	19.7	131	21.3	11050	15.9	127	16.4	10700	12.2	123	13.4	11700	10.0	135
KH4175	38.7	16800	28.9	194	35.8	18600	26.7	214	31.3	20400	23.3	235	25.6	22300	19.1	257

15:1

Input (rpm)	1750				1460				1165				870			
Output (rpm)	117				97.3				77.7				58.0			
Reducer Size	Input Power (hp)	Output Torque (in-lb)	Input Power (kw)	Output Torque (kg-m)	Input Power (hp)	Output Torque (in-lb)	Input Power (kw)	Output Torque (kg-m)	Input Power (hp)	Output Torque (in-lb)	Input Power (kw)	Output Torque (kg-m)	Input Power (hp)	Output Torque (in-lb)	Input Power (kw)	Output Torque (kg-m)
KH4110	6.80	3400	5.07	39.2	6.41	3840	4.78	44.2	5.70	4280	4.25	49.3	4.66	4690	3.48	54.0
KH4125	7.50	3750	5.60	43.2	6.91	4150	5.16	47.8	5.85	4400	4.36	50.7	4.78	4800	3.57	55.3
KH4130	11.9	5970	8.88	68.8	10.6	6340	7.87	73.0	8.92	6700	6.65	77.2	7.29	7340	5.44	84.6
KH4140	13.5	6780	10.1	78.1	12.5	7490	9.29	86.3	10.9	8190	8.13	94.3	8.91	8970	6.65	103
KH4155	15.6	7820	11.6	90.1	13.8	8300	10.3	95.6	11.7	8780	8.73	101	9.48	9550	7.07	110
KH4165	25.1	12500	18.7	144	20.7	12400	15.5	143	16.4	12300	12.2	142	13.4	13500	10.0	156
KH4175	35.5	17800	26.5	205	31.4	18850	23.4	217	26.5	19900	19.8	229	21.7	21800	16.2	251

17:1

Input (rpm)	1750				1460				1165				870			
Output (rpm)	103				85.9				68.5				51.2			
Reducer Size	Input Power (hp)	Output Torque (in-lb)	Input Power (kw)	Output Torque (kg-m)	Input Power (hp)	Output Torque (in-lb)	Input Power (kw)	Output Torque (kg-m)	Input Power (hp)	Output Torque (in-lb)	Input Power (kw)	Output Torque (kg-m)	Input Power (hp)	Output Torque (in-lb)	Input Power (kw)	Output Torque (kg-m)
KH4110	6.80	3860	5.07	44.5	6.26	4260	4.67	49.1	5.46	4660	4.07	53.7	4.47	5100	3.33	58.8
KH4125	7.50	4250	5.60	49.0	6.83	4640	5.10	53.5	5.85	4980	4.36	57.4	4.56	5200	3.40	59.9
KH4130	11.0	6240	8.21	71.9	9.75	6630	7.27	76.4	8.23	7010	6.14	81	6.73	7680	5.02	88.5
KH4140	13.5	7680	10.1	88.5	12.3	8380	9.20	96.5	10.7	9080	7.98	105	8.37	9550	6.24	110
KH4155	14.2	8080	10.6	93.1	14.4	9790	10.7	113	13.5	11500	10.1	132	10.7	12200	7.97	141
KH4165	21.5	12200	16.0	141	19.2	13050	14.3	150	16.3	13900	12.2	160	13.0	14800	9.70	170
KH4175	29.5	16700	22.0	192	26.4	18000	19.7	207	22.6	19200	16.9	221	18.4	21000	13.7	242

TORQUE RATING - SINGLE REDUCTION

21:1

Input (rpm)	1750				1460				1165				870			
Output (rpm)	83.3				69.5				55.5				41.4			
Reducer Size	Input Power (hp)	Output Torque (in-lb)	Input Power (kw)	Output Torque (kg-m)	Input Power (hp)	Output Torque (in-lb)	Input Power (kw)	Output Torque (kg-m)	Input Power (hp)	Output Torque (in-lb)	Input Power (kw)	Output Torque (kg-m)	Input Power (hp)	Output Torque (in-lb)	Input Power (kw)	Output Torque (kg-m)
KH4110	5.17	3620	3.86	41.7	5.08	4270	3.79	49.2	4.67	4910	3.48	56.6	3.70	5210	2.76	60.0
KH4125	6.22	4360	4.64	50.2	5.89	4940	4.39	56.9	5.26	5530	3.92	63.7	4.16	5860	3.10	67.5
KH4130	9.40	6580	7.01	75.8	8.33	6990	6.21	80.5	7.03	7400	5.24	85.2	5.54	7810	4.13	90.0
KH4140	10.5	7390	7.83	85.1	9.32	7850	6.95	90.4	7.89	8300	5.89	95.6	6.45	9090	4.81	105
KH4155	11.1	7790	8.28	89.7	9.84	8280	7.34	95.4	8.32	8760	6.21	101	6.78	9550	5.06	110
KH4165	20.1	14100	15.0	162	16.5	13850	12.3	160	12.9	13600	9.62	157	9.67	13600	7.21	157
KH4175	28.8	20200	21.5	233	25.5	21400	19.0	247	21.5	22600	16.0	260	16.6	23400	12.4	270

25:1

Input (rpm)	1750				1460				1165				870			
Output (rpm)	70.0				58.4				46.6				34.8			
Reducer Size	Input Power (hp)	Output Torque (in-lb)	Input Power (kw)	Output Torque (kg-m)	Input Power (hp)	Output Torque (in-lb)	Input Power (kw)	Output Torque (kg-m)	Input Power (hp)	Output Torque (in-lb)	Input Power (kw)	Output Torque (kg-m)	Input Power (hp)	Output Torque (in-lb)	Input Power (kw)	Output Torque (kg-m)
KH4110	5.01	4170	3.74	48.0	4.43	4430	3.31	51.0	3.74	4690	2.79	54.0	3.06	5130	2.28	59.1
KH4125	5.25	4380	3.92	50.5	4.65	4650	3.47	53.6	3.93	4920	2.93	56.7	3.11	5210	2.32	60.0
KH4130	7.90	6590	5.89	75.9	7.00	6995	5.22	80.6	5.91	7400	4.41	85.2	4.66	7810	3.48	90.0
KH4140	9.15	7630	6.83	87.9	8.10	8100	6.04	93.3	6.84	8570	5.10	98.7	5.60	9390	4.18	108
KH4155	10.5	8800	7.83	101	9.15	9180	6.83	106	7.62	9550	5.68	110	5.69	9550	4.24	110
KH4165	16.5	13700	12.3	158	14.0	14000	10.5	161	11.4	14300	8.50	165	8.32	13900	6.21	160
KH4175	24.2	20200	18.1	233	21.4	21400	16.0	247	18.1	22600	13.5	260	14.0	23400	10.4	270

29:1

Input (rpm)	1750				1460				1165				870			
Output (rpm)	60.3				50.3				40.2				30.0			
Reducer Size	Input Power (hp)	Output Torque (in-lb)	Input Power (kw)	Output Torque (kg-m)	Input Power (hp)	Output Torque (in-lb)	Input Power (kw)	Output Torque (kg-m)	Input Power (hp)	Output Torque (in-lb)	Input Power (kw)	Output Torque (kg-m)	Input Power (hp)	Output Torque (in-lb)	Input Power (kw)	Output Torque (kg-m)
KH4110	4.45	4300	3.32	49.5	3.94	4570	2.94	52.6	3.33	4830	2.48	55.6	2.68	5210	2.00	60.0
KH4125	4.67	4520	3.48	52.1	4.14	4800	3.09	55.3	3.50	5090	2.61	58.6	2.72	5290	2.03	60.9
KH4130	7.09	6860	5.29	79.0	6.28	7290	4.68	84.0	5.30	7710	3.95	88.8	4.01	7810	2.99	90.0
KH4140	7.63	7380	5.69	85.0	6.76	7840	5.04	90.3	5.71	8300	4.26	95.6	4.67	9080	3.48	105
KH4155	9.11	8810	6.80	101	7.92	9180	5.91	106	6.57	9550	4.90	110	4.91	9550	3.66	110
KH4165	13.9	13400	10.4	154	12.4	14400	9.27	166	10.5	15300	7.83	176	8.03	15600	5.99	180
KH4175	22.2	21500	16.6	248	19.4	22500	14.5	259	16.1	23400	12.0	270	12.0	23400	8.95	270

TORQUE RATING - SINGLE REDUCTION

35:1

Input (rpm)	1750				1460				1165				870			
Output (rpm)	50.0				41.7				33.3				24.9			
Reducer Size	Input Power (hp)	Output Torque (in-lb)	Input Power (kw)	Output Torque (kg-m)	Input Power (hp)	Output Torque (in-lb)	Input Power (kw)	Output Torque (kg-m)	Input Power (hp)	Output Torque (in-lb)	Input Power (kw)	Output Torque (kg-m)	Input Power (hp)	Output Torque (in-lb)	Input Power (kw)	Output Torque (kg-m)
KH4110	4.22	4930	3.15	56.8	3.62	5070	2.70	58.4	2.97	5210	2.22	60.0	2.22	5210	1.66	60.0
KH4125	4.74	5530	3.54	63.7	4.16	5820	3.10	67.0	3.49	6100	2.60	70.3	2.71	6360	2.02	73.3
KH4130	5.64	6580	4.21	75.8	5.00	6990	3.73	80.5	4.22	7400	3.15	85.2	3.33	7810	2.48	90.0
KH4140	7.46	8710	5.57	100	6.52	9130	4.86	105	5.44	9550	4.06	110	4.07	9550	3.04	110
KH4155	8.17	9550	6.09	110	7.98	11200	5.95	129	6.85	12000	5.11	138	5.21	12200	3.89	141
KH4165	13.2	15400	9.85	177	10.7	14900	7.96	172	8.25	14400	6.15	166	6.35	14900	4.74	172
KH4175	19.4	22600	14.5	260	16.5	23000	12.3	265	13.4	23400	10.0	270	9.96	23400	7.43	270

43:1

Input (rpm)	1750				1460				1165				870			
Output (rpm)	40.7				34.0				27.1				20.2			
Reducer Size	Input Power (hp)	Output Torque (in-lb)	Input Power (kw)	Output Torque (kg-m)	Input Power (hp)	Output Torque (in-lb)	Input Power (kw)	Output Torque (kg-m)	Input Power (hp)	Output Torque (in-lb)	Input Power (kw)	Output Torque (kg-m)	Input Power (hp)	Output Torque (in-lb)	Input Power (kw)	Output Torque (kg-m)
KH4110	3.01	4320	2.25	49.8	2.67	4590	1.99	52.9	2.25	4850	1.68	55.9	1.81	5210	1.35	60.0
KH4125	3.16	4530	2.36	52.0	2.80	4820	2.09	56.0	2.37	5100	1.77	59.0	1.90	5470	1.42	63
KH4130	4.58	6570	3.42	76.0	4.06	6990	3.03	80.0	3.43	7400	2.56	85.0	2.71	7810	2.02	90
KH4140	4.91	7040	3.66	81.0	4.35	7480	3.24	86.0	3.67	7910	2.74	91.0	3.00	8660	2.24	100
KH4155	6.04	8660	4.51	100	5.30	9110	3.95	105	4.43	9550	3.30	110	3.31	9550	2.47	110
KH4165	10.1	14500	7.53	167	8.09	13900	6.04	160	6.19	13300	4.62	153	5.02	14500	3.74	167
KH4175	14.4	20600	10.7	237	12.8	21900	9.53	252	10.8	23200	8.06	267	8.12	23400	6.06	270

51:1

Input (rpm)	1750				1460				1165				870			
Output (rpm)	34.3				28.6				22.8				17.1			
Reducer Size	Input Power (hp)	Output Torque (in-lb)	Input Power (kw)	Output Torque (kg-m)	Input Power (hp)	Output Torque (in-lb)	Input Power (kw)	Output Torque (kg-m)	Input Power (hp)	Output Torque (in-lb)	Input Power (kw)	Output Torque (kg-m)	Input Power (hp)	Output Torque (in-lb)	Input Power (kw)	Output Torque (kg-m)
KH4110	2.78	4720	2.07	54.4	2.44	4970	1.82	57.3	2.04	5210	1.52	60.0	1.52	5210	1.13	60.0
KH4125	3.32	5650	2.48	65.1	2.82	5740	2.10	66.1	2.28	5830	1.70	67.2	1.79	6130	1.34	70.6
KH4130	3.89	6620	2.90	76.3	3.45	7030	2.57	81.0	2.91	7440	2.17	85.7	2.28	7810	1.70	90.0
KH4140	4.55	7730	3.39	89.0	4.03	8220	3.01	94.7	3.40	8700	2.54	100	2.78	9520	2.07	110
KH4155	5.60	9530	4.18	110	4.68	9540	3.49	110	3.74	9550	2.79	110	3.28	11200	2.45	129
KH4165	7.51	12800	5.60	147	6.32	12900	4.71	149	5.04	12900	3.76	149	3.78	12900	2.82	149
KH4175	12.9	21900	9.62	252	11.2	22700	8.32	262	9.17	23400	6.84	270	6.85	23400	5.11	270

TORQUE RATING - SINGLE REDUCTION

59:1

Input (rpm)	1750				1460				1165				870			
Output (rpm)	29.7				24.7				19.7				14.7			
Reducer Size	Input Power (hp)	Output Torque (in-lb)	Input Power (kw)	Output Torque (kg-m)	Input Power (hp)	Output Torque (in-lb)	Input Power (kw)	Output Torque (kg-m)	Input Power (hp)	Output Torque (in-lb)	Input Power (kw)	Output Torque (kg-m)	Input Power (hp)	Output Torque (in-lb)	Input Power (kw)	Output Torque (kg-m)
KH4110	2.15	4230	1.60	48.7	1.91	4490	1.42	51.7	1.61	4750	1.20	54.7	1.31	5200	0.98	59.9
KH4125	2.73	5380	2.04	62.0	2.30	5430	1.72	62.6	1.86	5490	1.38	63.2	1.54	6110	1.15	70.4
KH4130	3.35	6610	2.50	76.1	2.96	7010	2.21	80.8	2.50	7400	1.87	85.2	1.97	7810	1.47	90.0
KH4140	4.43	8720	3.30	100	3.87	9140	2.89	105	3.23	9550	2.41	110	2.42	9550	1.81	110
KH4155	4.85	9550	3.62	110	4.62	10900	3.45	126	4.13	12200	3.08	141	3.07	12100	2.29	139
KH4165	7.00	13700	5.22	158	6.07	14300	4.53	165	5.02	14900	3.74	172	3.72	14700	2.78	169
KH4175	11.0	21700	8.21	250	9.57	22600	7.14	260	7.92	23400	5.91	270	5.92	23400	4.42	270

71:1

Input (rpm)	1750				1460				1165				870			
Output (rpm)	24.6				20.6				16.4				12.3			
Reducer Size	Input Power (hp)	Output Torque (in-lb)	Input Power (kw)	Output Torque (kg-m)	Input Power (hp)	Output Torque (in-lb)	Input Power (kw)	Output Torque (kg-m)	Input Power (hp)	Output Torque (in-lb)	Input Power (kw)	Output Torque (kg-m)	Input Power (hp)	Output Torque (in-lb)	Input Power (kw)	Output Torque (kg-m)
KH4110	1.51	3570	1.13	41.1	1.34	3800	1.00	43.8	1.13	4020	0.84	46.3	0.92	4400	0.69	50.7
KH4125	1.59	3770	1.19	43.4	1.41	4000	1.05	46.1	1.19	4230	0.89	48.7	0.97	4620	0.72	53.2
KH4130	2.88	6810	2.15	78.5	2.55	7230	1.90	83.3	2.15	7650	1.60	88.1	1.64	7810	1.22	90.0
KH4140	3.26	7720	2.43	88.9	2.89	8200	2.16	94.5	2.44	8690	1.82	100	2.00	9510	1.49	110
KH4155	4.03	9540	3.01	110	3.36	9500	2.51	109	2.68	9550	2.00	110	2.36	11200	1.76	129
KH4165	5.27	12500	3.93	144	4.47	12700	3.33	146	3.62	12900	2.70	149	2.71	12900	2.02	149
KH4175	9.30	22000	6.94	253	8.01	22700	5.97	262	6.59	23400	4.92	270	4.92	23400	3.67	270

87:1

Input (rpm)	1750				1460				1165				870			
Output (rpm)	20.1				16.8				13.4				10.0			
Reducer Size	Input Power (hp)	Output Torque (in-lb)	Input Power (kw)	Output Torque (kg-m)	Input Power (hp)	Output Torque (in-lb)	Input Power (kw)	Output Torque (kg-m)	Input Power (hp)	Output Torque (in-lb)	Input Power (kw)	Output Torque (kg-m)	Input Power (hp)	Output Torque (in-lb)	Input Power (kw)	Output Torque (kg-m)
KH4110	1.44	4170	1.07	48.0	1.28	4430	0.95	51.0	1.08	4690	0.81	54.0	0.88	5130	0.66	59.1
KH4125	1.51	4390	1.13	50.6	1.33	4630	0.99	53.3	1.12	4870	0.83	56.1	0.91	5320	0.68	61.3
KH4130	2.66	7710	1.98	88.8	2.17	7560	1.62	87.1	1.70	7400	1.27	85.2	1.34	7810	1.00	90.0
KH4140	3.03	8790	2.26	101	2.64	9170	1.97	106	2.19	9550	1.63	110	1.64	9550	1.22	110
KH4155	3.29	9550	2.45	110	3.09	10800	2.30	124	2.75	12000	2.05	138	2.09	12200	1.56	141
KH4165	4.75	13800	3.54	159	4.05	14100	3.02	162	3.30	14400	2.46	166	2.54	14800	1.89	170
KH4175	7.46	21600	5.57	249	6.48	22500	4.84	259	5.38	23400	4.01	270	4.02	23400	3.00	270